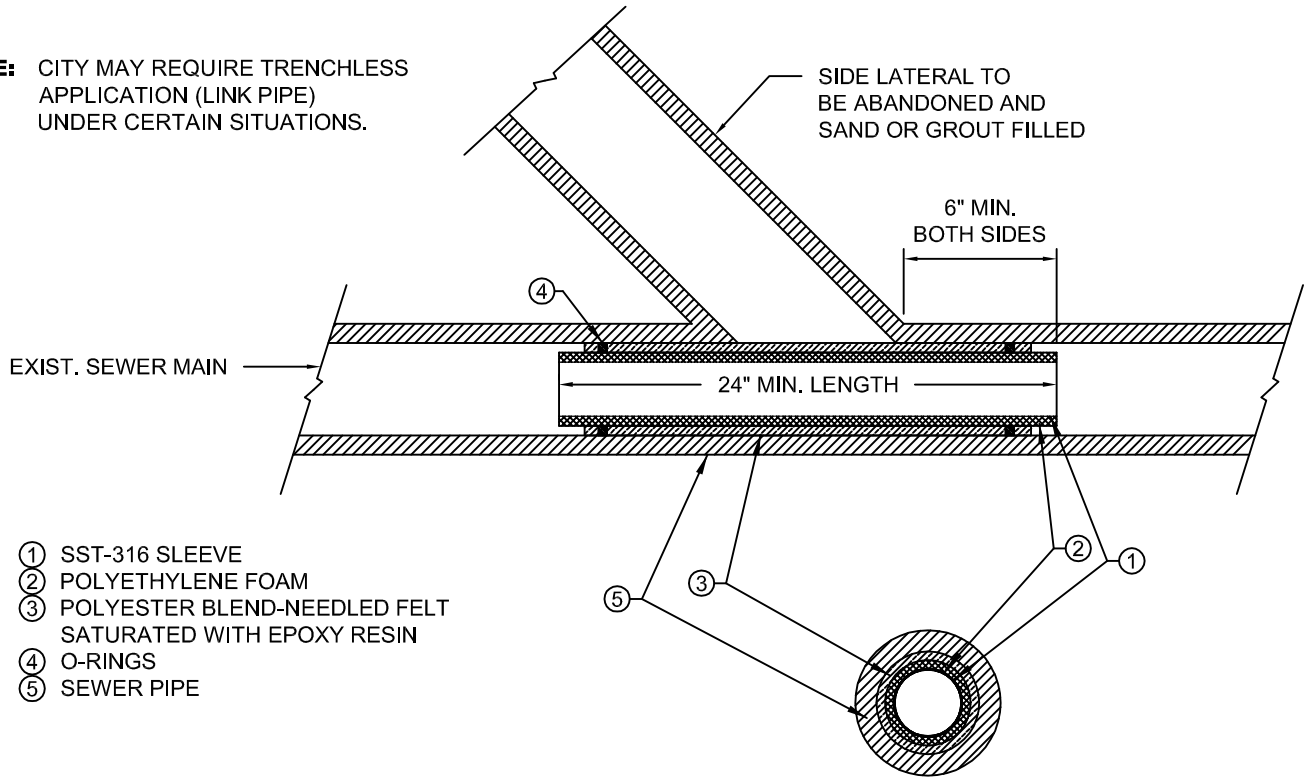


SIDE SEWER PLUG DETAIL

NOTE: CITY MAY REQUIRE TRENCHLESS APPLICATION (LINK PIPE) UNDER CERTAIN SITUATIONS.



FOR ABANDONED SIDE SEWERS



SIDE SEWER PLUG OR SLEEVE

STANDARD PLAN:
SS - 180
DATE: **FEB. 2007**

CITY ENGINEER APPROVAL:
Longview: **C.B.**
Kelso: **S.Z.**