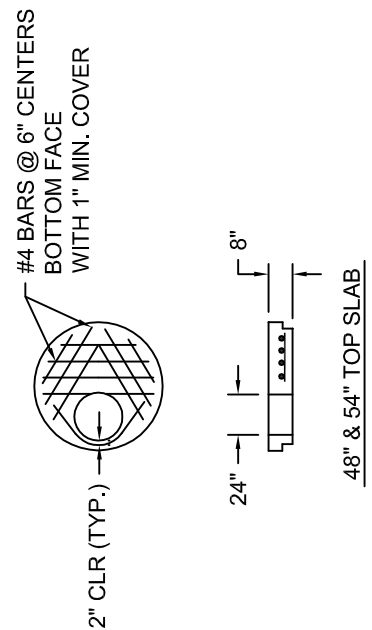
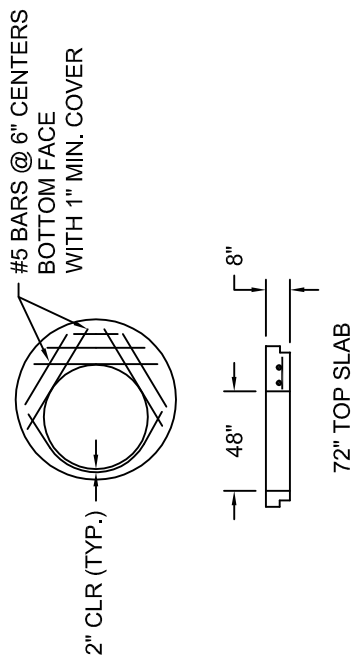
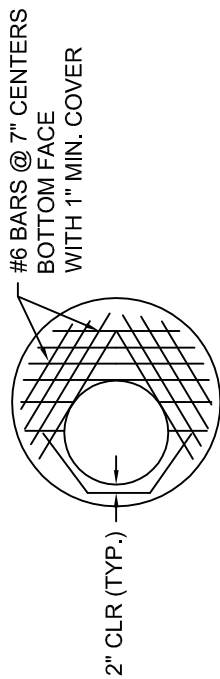


MISCELLANEOUS MANHOLE AND VAULT DETAILS

STANDARD PLAN:
SS - 140
DATE: **FEB. 2007**

CITY ENGINEER APPROVAL:
Longview: **C.B.**
Kelso: **S.Z.**



NOTES:

1. PROPRIETARY MANHOLE STEPS ARE ACCEPTABLE, PROVIDED THAT THEY CONFORM TO SECTION R, ASTM C 478 (AASHTO M-199) AND MEET ALL WISHA REQUIREMENTS.
2. MANHOLE STEP LEGS SHALL BE PARALLEL OR APPROXIMATELY RADIAL AT THE OPTION OF THE MANUFACTURER, EXCEPT THAT ALL STEPS IN ANY MANHOLE SHALL BE SIMILAR. PENETRATION OF THE OUTER WALL BE A LEG IS PROHIBITED.

