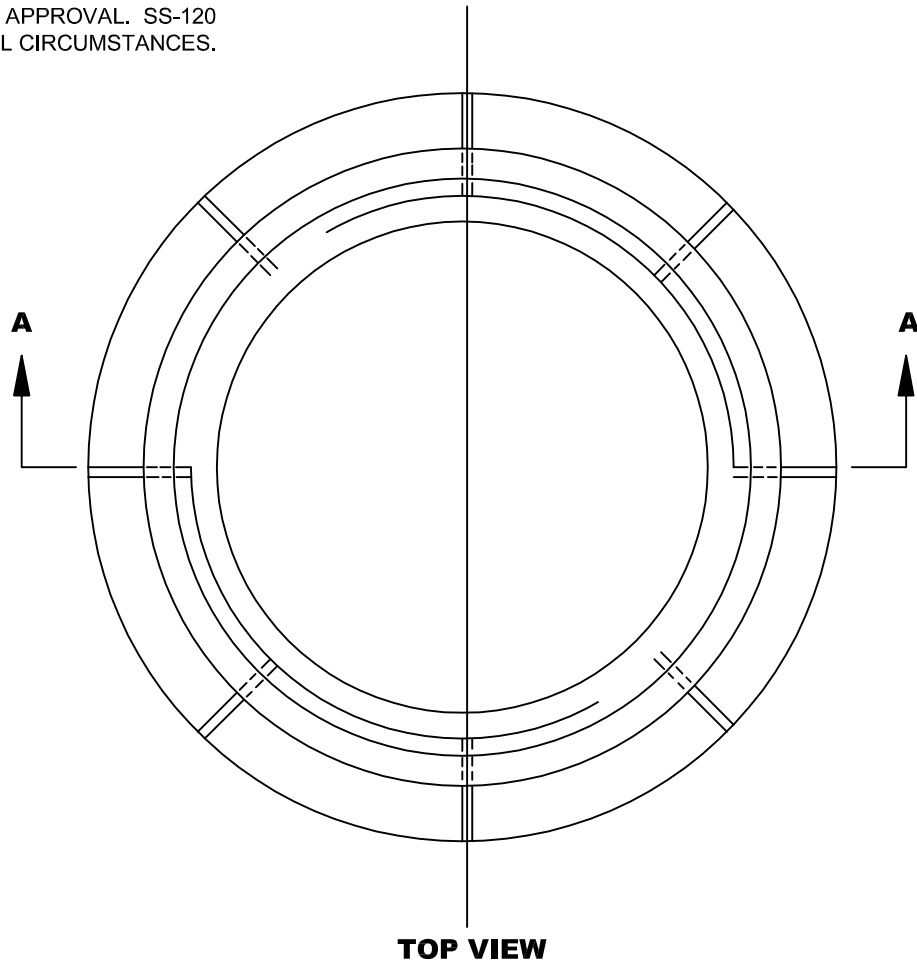
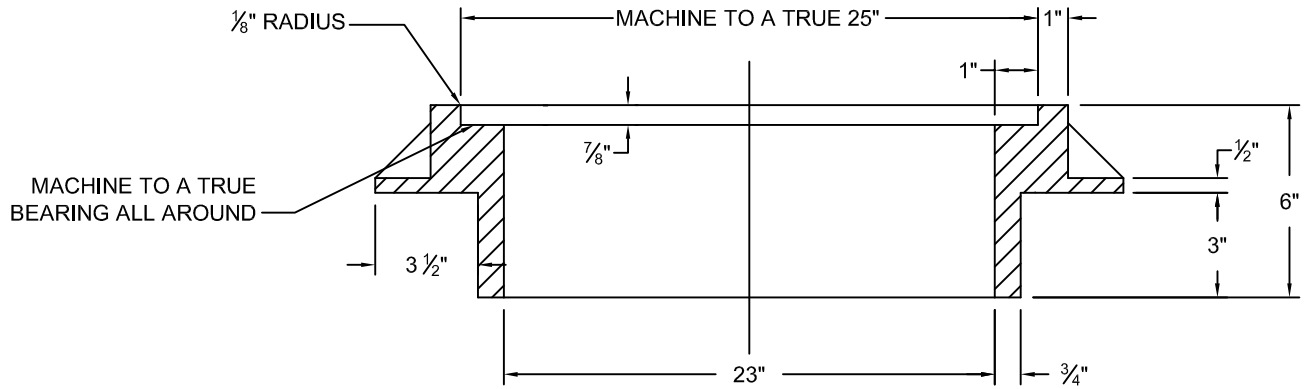


USE OF THIS SIZE FRAME ONLY PERMISSABLE  
 WITH ENGINEERS APPROVAL. SS-120  
 TO BE USED FOR NORMAL CIRCUMSTANCES.



**TOP VIEW**



**SECTION A-A**

CAST IRON OR DUCTILE  
 W/ H2O LOAD RATING  
 APPROVED BY CITY ENGINEER



**23" x 6" MANHOLE FRAME**

STANDARD PLAN:  
**SS - 110**  
 DATE: **FEB. 2007**

CITY ENGINEER APPROVAL:  
 Longview: **C.B.**  
 Kelso: **S.Z.**