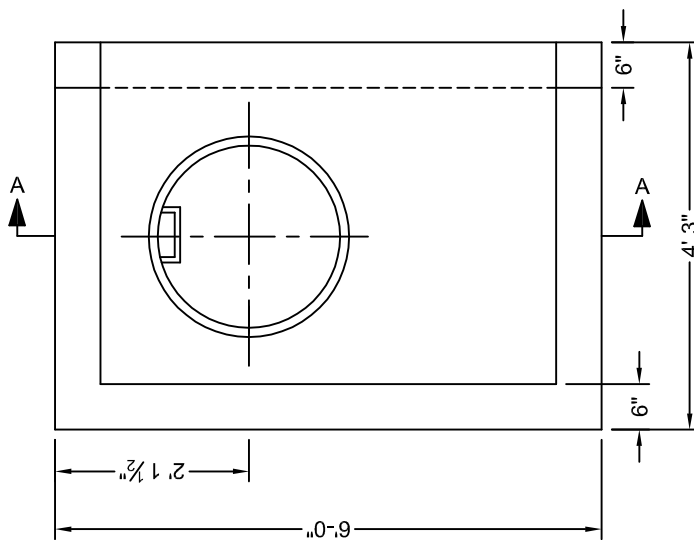


SECTION A - A



PLAN

SLOPE	H1 (IN.)	CONC. (CU. YD.)	STEEL (LB.)
1 : 1.5	3' - 0"	1.00	88
1 : 2	2' - 4 1/2"	0.89	75
1 : 3	1' - 9"	0.78	70
1 : 4	1' - 5 1/2"	0.72	63
1 : 6	1' - 1 1/2"	0.66	60

NOTE:
ALL REINFORCING STEEL SHALL BE PLACED 2" CLEAR OF NEAREST FACE OF CONCRETE UNLESS SHOWN OR NOTED OTHERWISE.



MANHOLE SLOPE PROTECTOR

STANDARD PLAN:
SD - 180

CITY ENGINEER APPROVAL:

Longview: **C.B.**

DATE: **FEB. 2007**

Kelso: **S.Z.**