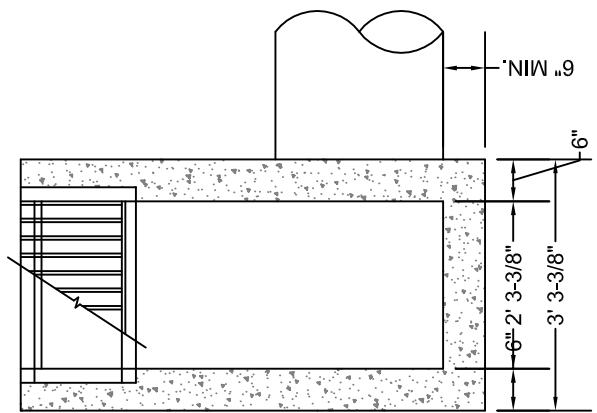
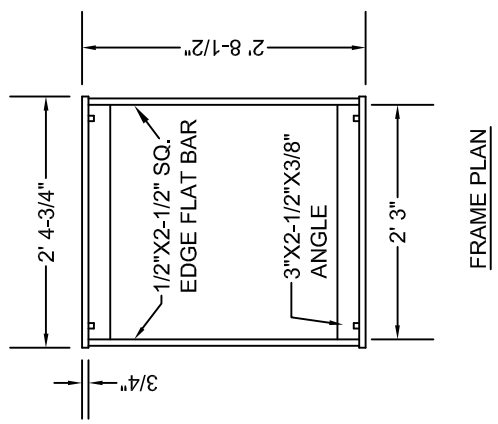


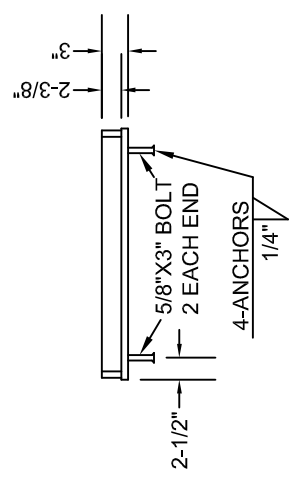
**SECTION A-A**



**SECTION B-B**

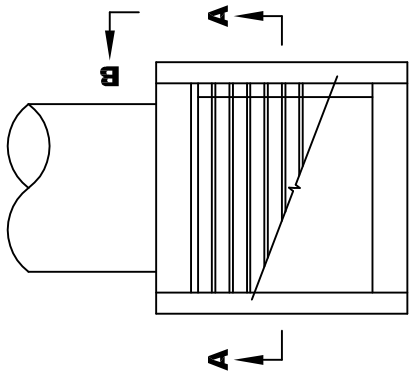


**FRAME PLAN**

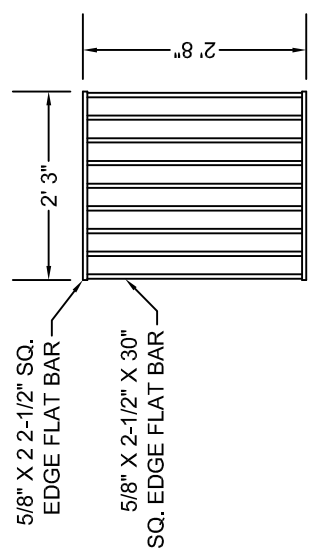


**FRAME SECTION**

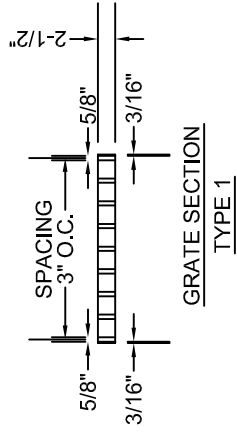
NOTE: 3/8" CROSS BARS SHALL BE FLUSH WITH THE GRATE SURFACE AND MAY BE FILLET WELDED. RESISTANCE WELDED OR ELECTROFORGED TO BEARING BARS.



- NOTE:
1. CONCRETE STRENGTH SHALL BE COMMERCIAL GRADE CONCRETE.
  2. G-2 GRATES MAY BE USED IF APPROVED BY THE ENGINEER.
  3. CATCH BASIN, FRAME & GRATES SHALL MEET H20 LOADING.
  4. INSIDE FRAME DIMENSIONS: 2' 3-3/8" X 2' 8-1/2"



**GRATE PLAN**



**GRATE SECTION TYPE 1**